

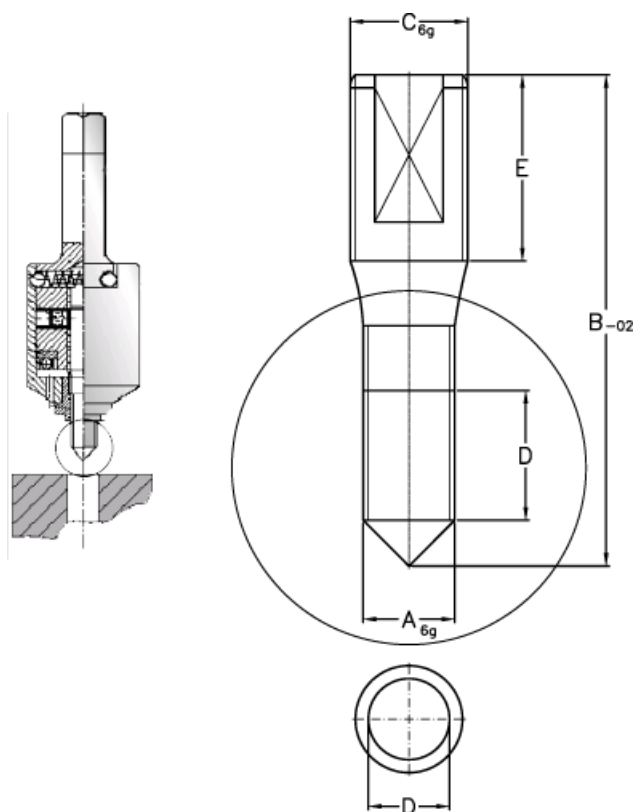
Data Sheet



Article number: 12620000035710

Description: Threaded pin 620 000 035.710
For M3,5

Measures



A = M3,5

B = 31.0

C = M4

D = 7.8

E = 13